

April 1995

8-Bit, 75 MSPS Flash A/D Converter

Features

- Differential Linearity Error ± 0.5 LSB or Less
- Integral Linearity Error ± 0.5 LSB or Less
- Built-In Integral Linearity Compensation Circuit
- High-Speed Operation with Maximum Conversion Rate of 75 MSPS (Min)
- Low Input Capacitance 17pF (Typ)
- Wide Analog Input Bandwidth 150MHz (Min. for Full Scale Input)
- Single Power Supply -5.2V
- Low Power Consumption 580mW (Typ)
- Low Error Rate
- Operable at 50% Clock Duty Cycle
- Capable of Driving 50 Ω Loads

Applications

- Video Digitizing
- HDTV (High Definition TV)
- Direct RF Down-Conversion
- Communication Systems
- Radar Systems
- Digital Oscilloscopes

Description

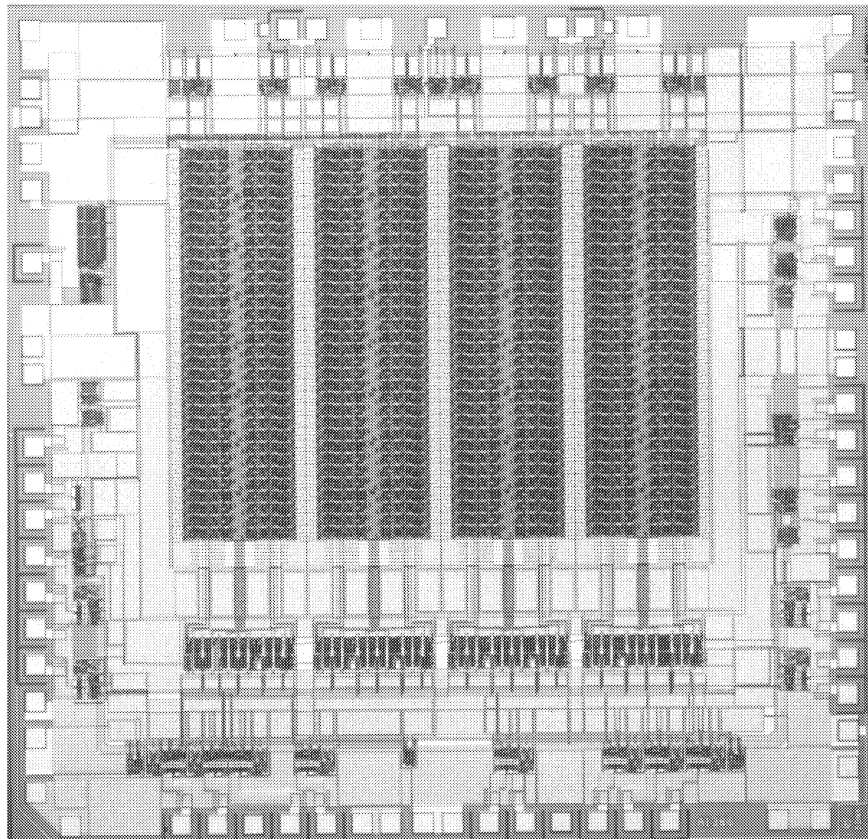
This is a specification that outlines the mechanical and electrical characteristics for the HI1386Y, 8-bit Flash A/D converter IC, in chip (die) form.

Ordering Information

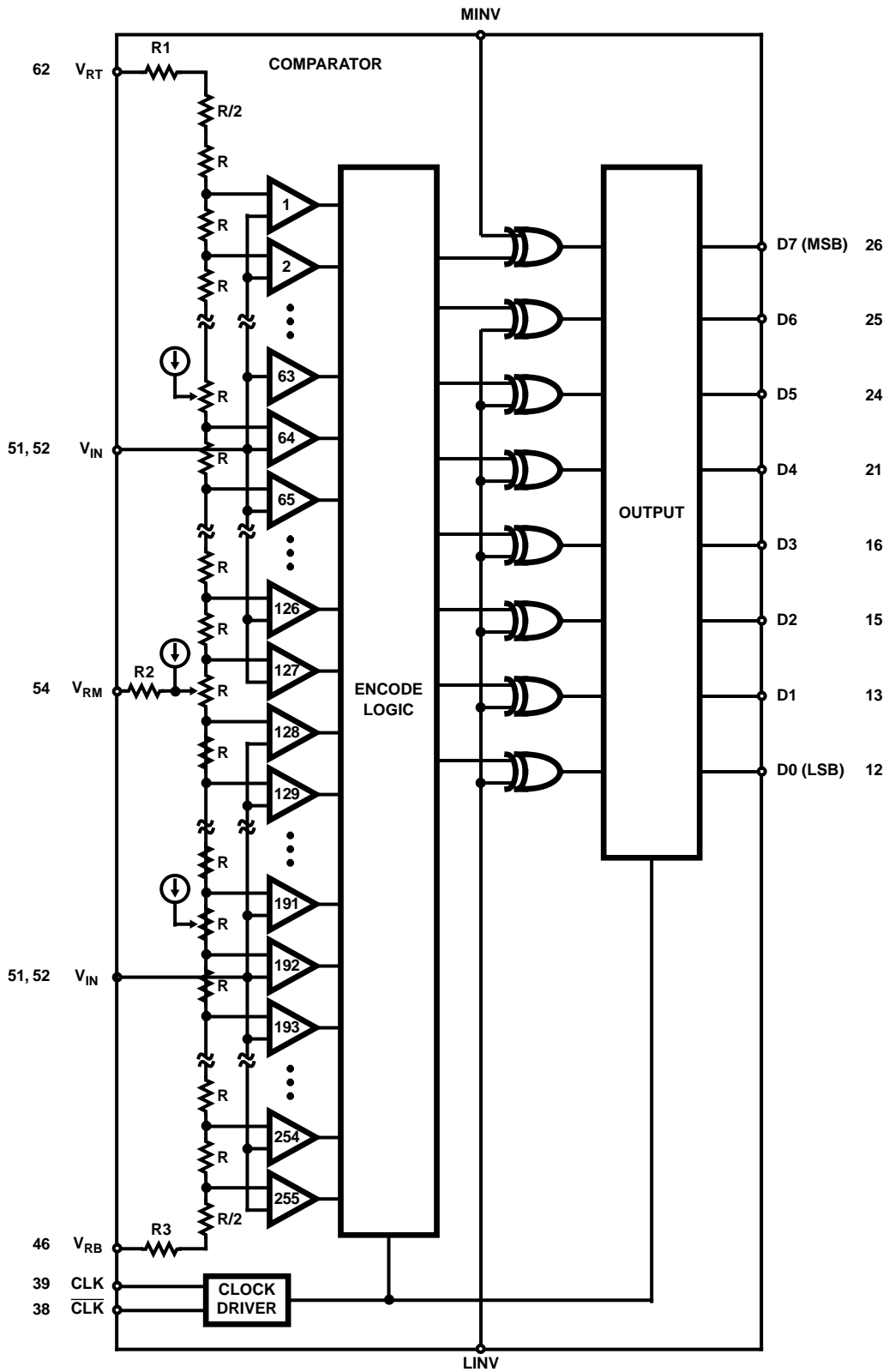
PART NUMBER	TEMPERATURE	PACKAGE
HI1386Y	+25°C	Die

• All performance parameters are for packaged devices when supplied by Harris.

Die Metallization Layer



Functional Block Diagram



Specifications HI1386Y

Absolute Maximum Ratings $T_A = +25^\circ\text{C}$

Supply Voltage (AV_{EE} , DV_{EE})	-7V to +0.5V	V_{RM} Pin Input Current (I_{VRM})	-3mA to +3mA
Analog Input Voltage (V_{IN})	-2.7V to +0.5V	Digital Output Current (ID0 to ID7)	-30mA to 0mA
Reference Input Voltage		Storage Temperature Range (T_{STG})	-65°C to +150°C
V_{RT} , V_{RB} , V_{RM}	-2.7V to +0.5V		
$ V_{RT} - V_{RB} $	2.5V		
Digital Input Voltage			
CLK, $\overline{\text{CLK}}$, MINV, LINV	-4V to +0.5V		
$ \overline{\text{CLK}} - \text{CLK} $	2.7V		

CAUTION: Stresses above those listed in "Absolute Maximum Ratings" may cause permanent damage to the device. This is a stress only rating and operation of the device at these or any other conditions above those indicated in the operational sections of this specification is not implied.

Operating Conditions

Supply Voltage		Analog Input Voltage, V_{IN}	V_{RB} to V_{RT}
AV_{EE} , DV_{EE}	-5.5V to -4.95V	Pulse Width of Clock	
$AV_{EE} - DV_{EE}$	-0.05V to 0.05V	T_{PW1}	6.6ns Min.
AGND - DGND	-0.05V to 0.05V	T_{PW0}	6.6ns Min.
Reference Input Voltage			
V_{RT}	-0.1V to 0.1V		
V_{RB}	-2.2V to -1.8V		

Electrical Specifications $T_A = +25^\circ\text{C}$, $AV_{EE} = DV_{EE} = -5.2\text{V}$, $V_{RT} = 0\text{V}$, $V_{RB} = -2\text{V}$

PARAMETER	TEST CONDITIONS	MIN	MAX	UNIT
Differential Linearity Error (DNL) (00000000 to 11111111)		-0.5	0.5	LSB
Integral Linearity Error (INL) (00000000 to 11111111)		-0.5	0.5	LSB
Resolution		8	-	Bits
Input Bias Current, I_{IN}	$V_{IN} = -1.0\text{V}$	0	160	μA
Analog Input Resistance, R_{IN}	$V_{IN} = -1.0\text{V}$	100	1000	$\text{k}\Omega$
Resister-String Current, I_{REF}		-22	-16	mA
Reference Voltage, V_{RM}		-1.1	-0.9	V
Digital Input Current HI,	Hi = -0.8V	0	40	μA
Digital Input Current LO,	Lo = -1.6V	-30	30	μA
$\overline{\text{CLK}}$ Open Voltage, V_{OPN}	$\overline{\text{CLK}} = \text{Open}$	-1.4	-1.2	V
Leakage (1) D0 to D7, V_{LEAK}	$I = -10\mu\text{A}$	-0.8	-0.4	V
Leakage (2) D0 to D7, V_{IN} , LINV, MINV, CLK, $\overline{\text{CLK}}$, I_{LEAK}	$V = 0.3\text{V}$	-1.0	1.0	μA
Digital Output Voltage HI, V_{OH}	220 Ω to -5.2V	-1.095	-0.6	V
Digital Output Voltage LO, V_{OL}	220 Ω to -5.2V	-2	-1.64	V
Supply Current, I_{EE}		-140	-70	mA

Timing Diagram

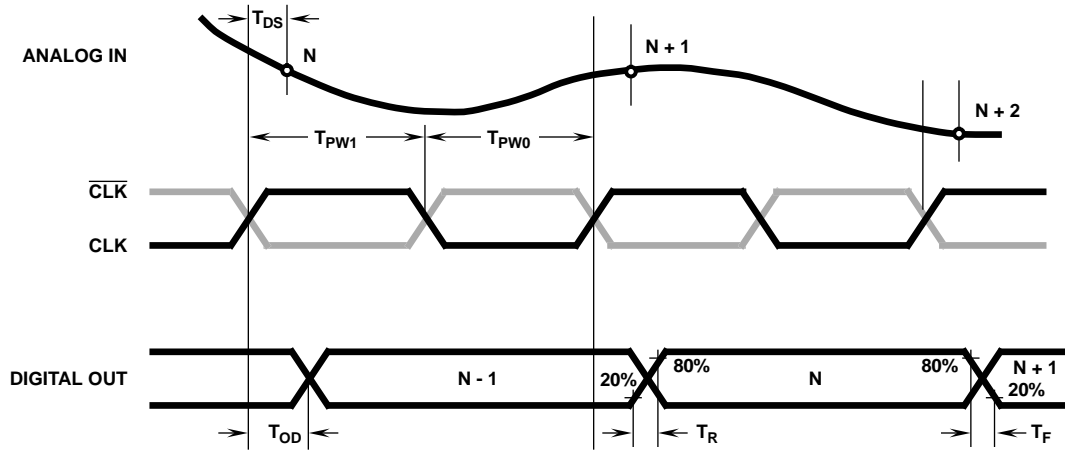


FIGURE 1.

Pad Descriptions

PAD NUMBER	SYMBOL	I/O	STANDARD VOLTAGE LEVEL	EQUIVALENT CIRCUIT	DESCRIPTION
50, 53, 55, 58	AGND	-	0V		Analog GND. Used as GND for input buffers and latches of comparators. Isolated from DGND, DGND1, and DGND2.
47, 48, 60, 61	AV _{EE}	-	-5.2V		Analog V _{EE} -5.2V (Typ.). Internally connected to DV _{EE} (Resistance: 4Ω to 6Ω). Bypass with 0.1μF to AGND.
39	CLK	I	ECL		CLK Input
38	$\overline{\text{CLK}}$				Input complementary to CLK. When open pulled down to -1.3V. Device is operable without CLK input, but use of complementary inputs of CLK and $\overline{\text{CLK}}$ is recommended to obtain stable high speed operation.
9, 29	DGND1	-	0V		Digital GND (used for internal circuits and output transistors).

Pad Descriptions (Continued)

PAD NUMBER	SYMBOL	I/O	STANDARD VOLTAGE LEVEL	EQUIVALENT CIRCUIT	DESCRIPTION
10, 28	DGND2	-	0V		Digital GND (used for output buffers).
8, 30	DV _{EE}	-	-5.2V		Digital V _{EE} . Internally connected to AV _{EE} (resistance: 4Ω to 6Ω). Bypass with 0.1μF to DGND
12	D0	O	ECL		LSB of data outputs. External pull-down resistor is required.
13	D1				Data outputs. External pull-down resistors are required.
15	D2				
16	D3				
21	D4				
24	D5				
25	D6				
26	D7				MSB of data outputs. External pull-down resistor is required.
1	LINV	I	ECL		Input pin for D0 (LSB) to D6 output polarity inversion (see A/D Output Code Table). Pulled low when left open.
35	MINV	I	ECL		Input pin for D7 (MSB) output polarity inversion (see A/D Output Code Table). Pulled low when left open.
51, 52	V _{IN}	I	V _{RT} to V _{RB}		Analog input pins. These two pins must be connected externally, since they are not internally connected. See Application Note for precautions.

Pad Descriptions (Continued)

PAD NUMBER	SYMBOL	I/O	STANDARD VOLTAGE LEVEL	EQUIVALENT CIRCUIT	DESCRIPTION
46	V_{RB}	I	-2V		Reference voltage (bottom). Typically -2V. Bypass with a 0.1 μ F and 10 μ F to AGND.
54	V_{RM}	I	$V_{RB}/2$		Reference voltage mid point. Can be used as a pin for integral linearity compensation.
62	V_{RT}	I	0V		Reference voltage (top) typically 0V.

A/D OUTPUT CODE TABLE

V_{IN} (Note 1)	STEP	MINV 1 LINV 1		0 1		1 0		0 0	
		D7	D0	D7	D0	D7	D0	D7	D0
0V	0	00000	10000	01111	11111
		00000	10000	01111	11111
	1	00001	10001	01110	11110
-1V	127	00001	10001	01110	11110
		00001	10001	01110	11110
		00001	10001	01110	11110
	128	01111	11111	00000	10000
		10000	00000	11111	01111
-2V	254	11110	01110	10001	00001
	255	11111	01111	10000	00000

NOTE:

1. $V_{RT} = 0V$, $V_{RB} = -2V$

HI1386Y

Pad Coordinates

PAD COORDINATE 1

PAD NO.	PAD NAME	X [μm]	Y [μm]
1	LINV	2198.40	4490.40
2		2008.00	4490.40
3		1817.60	4490.40
4		1627.20	4490.40
5		1436.80	4490.40
6		1246.40	4490.40
7		1056.00	4490.40
8	DV _{EE}	865.60	4490.40
9	DGND	675.20	4490.40
10	DGND	388.80	4490.40
11		209.60	4311.20
12	D0	209.60	3730.40
13	D1	209.60	3540.00
14		209.60	3349.60
15	D2	209.60	3159.20
16	D3	209.60	2968.80
17		209.60	2778.40
18		209.60	2629.60
19		209.60	2458.40
20		209.60	2301.60
21	D4	209.60	2111.20
22		209.60	1920.80

PAD NO.	PAD NAME	X [μm]	Y [μm]
23		209.60	1730.40
24	D5	209.60	1540.00
25	D6	209.60	1349.60
26	D7	209.60	1159.20
27		209.60	588.00
28	DGND	209.60	362.40
29	DGND	484.80	215.20
30	DV _{EE}	675.20	215.20
31		865.60	215.20
32		1056.00	215.20
33		1246.40	215.20
34		1436.80	215.20
35	MINV	1627.20	215.20
36		1817.60	215.20
37		2008.00	215.20
38	$\overline{\text{CLK}}$	2198.40	215.20
39	CLK	2388.80	215.20
40		2579.20	215.20
41		2728.00	215.20
42		2974.40	215.20
43		3164.80	215.20
44		3355.20	215.20

PAD NO.	PAD NAME	X [μm]	Y [μm]
45		3545.60	215.20
46	V _{RB}	3736.00	215.20
47	AV _{EE}	3926.40	215.20
48	AV _{EE}	4075.20	215.20
49		4377.60	215.20
50	AGND	4377.60	1292.00
51	V _{IN}	4377.60	1570.40
52	V _{IN}	4377.60	1720.80
53	AGND	4377.60	1999.20
54	V _{RM}	4377.60	2352.80
55	AGND	4377.60	2698.40
56	V _{IN}	4377.60	2984.80
57	V _{IN}	4377.60	3135.20
58	AGND	4377.60	3413.60
59		4377.60	4490.40
60	AV _{EE}	4075.20	4490.40
61	AV _{EE}	3926.40	4490.40
62	V _{RT}	3736.00	4490.40
63		3545.60	4490.40
64		3164.80	4490.40
65		2728.00	4490.40
66		2579.20	4490.40

Pad Coordinates (Continued)

PAD COORDINATE 2

PAD NO.	PAD NAME	X [μ m]	Y [μ m]
1	LINV	2158.40	4450.40
2		1968.00	4450.40
3		1777.60	4450.40
4		1587.20	4450.40
5		1396.80	4450.40
6		1206.40	4450.40
7		1016.00	4450.40
8	DV _{EE}	825.60	4450.40
9	DGND	635.20	4450.40
10	DGND	348.80	4450.40
11		169.60	5271.20
12	D0	169.60	3690.40
13	D1	169.60	3500.00
14		169.60	3309.60
15	D2	169.60	3119.20
16	D3	169.60	2928.80
17		169.60	2738.40
18		169.60	2589.60
19		169.60	2418.40
20		169.60	2261.60
21	D4	169.60	2071.20
22		169.60	1880.80

PAD NO.	PAD NAME	X [μ m]	Y [μ m]
23		169.60	1690.40
24	D5	169.60	1500.00
25	D6	169.60	1309.60
26	D7	169.60	1119.20
27		169.60	548.00
28	DGND	169.60	322.40
29	DGND	444.80	175.20
30	DV _{EE}	635.20	175.20
31		825.60	175.20
32		1016.00	175.20
33		1206.40	175.20
34		1396.80	175.20
35	MINV	1587.20	175.20
36		1777.60	175.20
37		1968.00	175.20
38	$\overline{\text{CLK}}$	2158.40	175.20
39	CLK	2348.80	175.20
40		2539.20	175.20
41		2688.00	175.20
42		2934.40	175.20
43		3124.80	175.20
44		3315.20	175.20

PAD NO.	PAD NAME	X [μ m]	Y [μ m]
45		3505.60	175.20
46	V _{RB}	3696.00	175.20
47	AV _{EE}	3886.40	175.20
48	AV _{EE}	4035.20	175.20
49		4337.60	175.20
50	AGND	4337.60	1252.00
51	V _{IN}	4337.60	1530.40
52	V _{IN}	4337.60	1680.80
53	AGND	4337.60	1959.20
54	V _{RM}	4337.60	2312.80
55	AGND	4337.60	2658.40
56	V _{IN}	4337.60	2944.80
57	V _{IN}	4337.60	3095.20
58	AGND	4337.60	3373.60
59		4337.60	4450.40
60	AV _{EE}	4035.20	4450.40
61	AV _{EE}	3886.40	4450.40
62	V _{RT}	3696.00	4450.40
63		3505.60	4450.40
64		3124.80	4450.40
65		2688.00	4450.40
66		2539.20	4450.40

Harris Semiconductor products are sold by description only. Harris Semiconductor reserves the right to make changes in circuit design and/or specifications at any time without notice. Accordingly, the reader is cautioned to verify that data sheets are current before placing orders. Information furnished by Harris is believed to be accurate and reliable. However, no responsibility is assumed by Harris or its subsidiaries for its use; nor for any infringements of patents or other rights of third parties which may result from its use. No license is granted by implication or otherwise under any patent or patent rights of Harris or its subsidiaries.

Sales Office Headquarters

For general information regarding Harris Semiconductor and its products, call **1-800-4-HARRIS**

UNITED STATES

Harris Semiconductor
 P. O. Box 883, Mail Stop 53-210
 Melbourne, FL 32902
 TEL: 1-800-442-7747
 (407) 729-4984
 FAX: (407) 729-5321

EUROPE

Harris Semiconductor
 Mercure Center
 100, Rue de la Fusee
 1130 Brussels, Belgium
 TEL: (32) 2-724-2111

ASIA

Harris Semiconductor PTE Ltd.
 No. 1 Tannery Road
 Cencon 1, #09-01
 Singapore 1334
 TEL: (65) 748-4200
 FAX: (65) 748-0400

